



Technical data sheet

# MyReserve Pack 24.3

## Store energy. Safe, powerful, compact

MyReserve Pack is a powerful lithium-ion battery module for integration in MyReserve battery systems.

- Depth of Discharge is 100 %
- Unique battery efficiency of 99.2 %
- Long service life > 15 years
- Plug & play installation with contact-protected and polarity-reversal-protected connecting plugs
- One-person installation possible (only 25 kg)
- Certified safety with multi-stage safety controls
- Integrated battery management system with VTC supervisor
- Individual cell monitoring
- Dynamic adjustment of the charge current based on the current PV output and the household's internal consumption
- Maintenance-free
- No memory effect



## Benefits

- **Best price**
- **Easy installation**
- **Certified safety**
- **Retrofit ready**

### SMART PERFORMANCE CALCULATION:

- Calculation of the internal resistance per cell
- Determination of charging and discharging parameters in consideration of the internal resistance
- Calculation of SoC and SoH



## SOLARWATT Service

**FullCoverage Insurance**  
included\*

**Performance warranty**  
10 years performance warranty for min. 80 % of the usable energy of MyReserve Pack

**Simple return policy**  
as per electrical and electronic equipment legislation

**Professional consultation**  
Experts via hotline or on site

**Guarantee of origin**  
Quality from Germany

\* soweit ein Wechselrichter gemäß „Freigegebene Wechselrichter für MyReserve“ eingesetzt wird

General data	
Usable energy	2,4 kWh
Depth of Discharge (DoD)	100 %
Cell technology	Li-ion
Cell separator	Ceramic coating
BMS	VTC Supervisor <sup>1)</sup>
Maximum efficiency	99.2%
Weight	25 Kg
Dimensions (W x H x D)	384 mm X 200.5 mm X 277 mm (Depth: 260mm without fastening points)
Housing	Aluminum
Communication	iso SPI
Power connections	Power plug with integrated communication (contact-protection and polarity-reversal protection) <sup>2)</sup>
Battery fuse	Integrated
Warranty <sup>3)</sup>	10 years (min. 80 % of the usable energy)
Cycle service life	unlimited number of full cycles during the warranty period

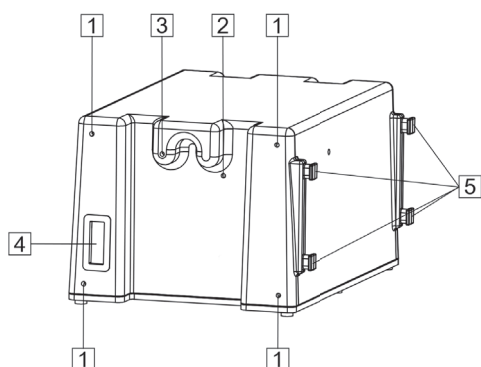
Supported devices	
Battery system	MyReserve 500, MyReserve 800, MyReserve Command (20.2, 20.3, 20.4)

Environmental and ambient conditions	
Permissible environmental operating temp.	0°C to 30°C (max. 45°C) <sup>4)</sup>
Permissible storage temperature	-20°C to 30°C
Permissible transport temperature	-20°C to 55°C
Relative air humidity	≤ 85% non-condensing
Protection rating	IP54 (with protective cover on the power plug outlet, otherwise IP20)
Installation location	Up to 2000m above sea level

- 1) Continuous monitoring of all cell voltages, cell temperatures, and current. Shut-off of the system when parameter limits are exceeded.
- 2) The battery poles are voltage-free when the battery is removed
- 3) The corresponding warranty conditions apply
- 4) MyReserve does not operate at temperatures below -15°C or above +45°C. Unrestricted performance is provided for the household in the temperature range of 0°C to 30°C. Accelerated aging of the cells should be taken into account at temperatures above +45°C.

Certifications and standards	
tested by accredited testing laboratories acc. to UN38.3  As a part of MyReserve: Safety Guidelines for Li-ion household battery system Version 1.0 E DIN EN 62619:2014 (VDE 0510-39) DIN EN 50272-1:2011 (VDE 0510-1) DIN EN 61010-1:2011 (VDE 0411-1) DIN EN 61000-6-1:2007 (VDE 0839-6-1) DIN EN 61000-6-3:2011 (VDE 0839-6-3)	Conformity to: EU-Directives (CE): 2014/35/EU (LVD) 2014/30/EU (EMC) 2011/65/EU (RoHS)
	Cells (among others) tested acc. to: UN38.3 Automotive-Standards (EUCAR Abuse Level 3)

## Dimensions



1	Fastening holes for protective cover
2	Fastening holes battery cable
3	Ground connection
4	Connection for battery cable
5	Mounting bracket

required accessory: Accessory Kit MyReserve Pack